

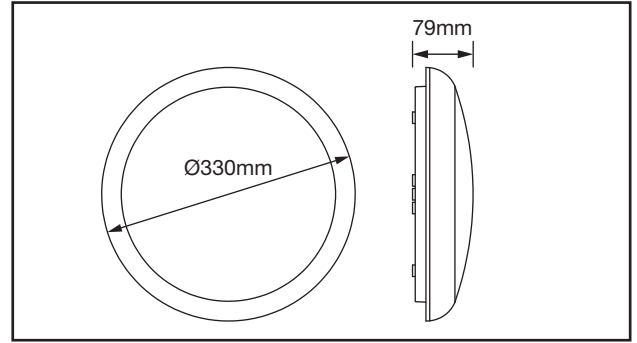
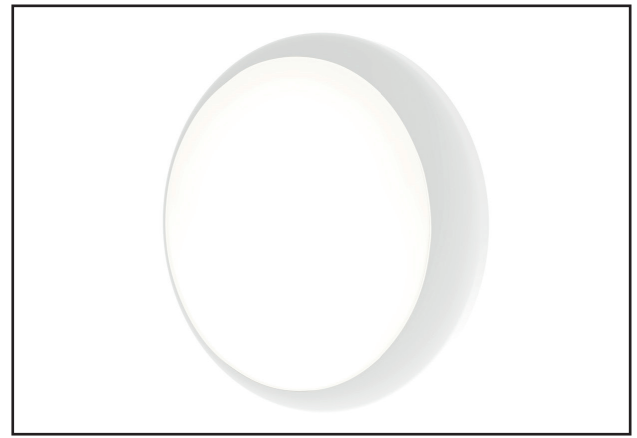
AB/LEN/CCT

14W LED IP65 IK08 CCT Selectable
Slim-Design Bulkhead



PRODUCT FEATURES

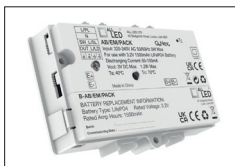
- With Q-Nex Plug & Play Technology
- Plug & Play Replaceable Battery Emergency Module (AB/EM/PACK)*
- Plug & Play 2-in-1 Fully Programmable Microwave On/Off And Corridor Function Sensor Module (AB/MS/C)*
- IP65 Rating
- IK08 Shatter Resistant Construction
- CCT Selectable (3000K/4000K/6000K)
- Suitable For Wall & Ceiling Mounting
- For Indoor, Outdoor & Coastal Applications
- Quick Release Flip-Down Gear Tray
- Push Terminals
- Integrated Besa Mounts
- Premium Grade Polycarbonate
- Modern Slim-Design



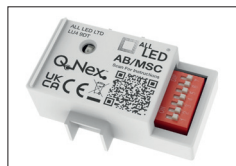
TECHNICAL SPECIFICATIONS

Code	AB/LEN/CCT		
Luminous Flux (LM)	1330lm	1420lm	1400lm
Useful Luminous Flux (LM)	1330lm	1420lm	1400lm
CCT (Kelvin)	3000K	4000K	6000K
Peak Intensity	395cd	404cd	373cd
CRI		>80	
Beam Angle (°)		120°	
Operating Voltage (V AC)		220-240V AC	
Operating Current (A Max)		0.091	
Light Source Max Output Power		14W	
Power Factor		≥0.7	
Efficiency %		92%	
No Load Power (W)		≤0.5W	
Driver Max Output Current (mA)		200mA	
Driver Max Output Voltage (V DC)		95V DC	
Class		II	
Body Material		Polycarbonate	
Frame Colour		White	
Switching Cycles		>50,000	
Ingress Protection		IP65	
Ambient Operating Temperature (°C)		-20°C ~ +45°C	
Guarantee		5 Years	
Input Frequency (Hz)		50/60Hz	
Lifetime (L70 B50)		50,000 Hrs	
IK Rating		IK08	
Displacement Factor		≥0.7	
Flicker Metric (PstLM)		≤1.0	
Stroboscopic Effect Metric (SVM)		≤0.4	

ACCESSORIES*



Emergency Module
AB/EM/PACK



Microwave Sensor
AB/MS/C



Matte Black Bezel
AB/LEN/BZ-BLK



Polished Chrome Bezel
AB/LEN/BZ-PC



*Sold Separately